

ELSPRO®

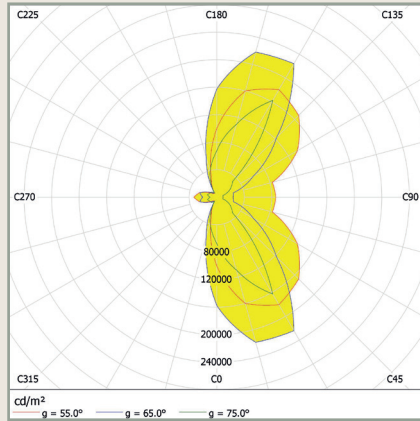
FINLED



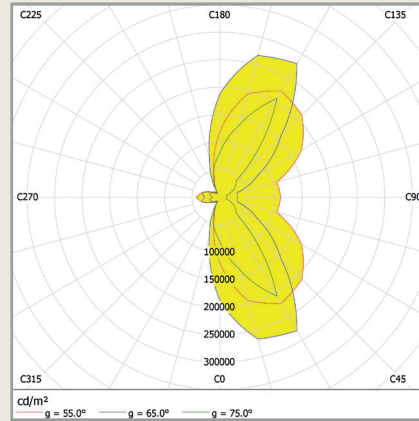
LED Street/Path & Plaza Light FINLED

LIGHTING SPECIFICATIONS:

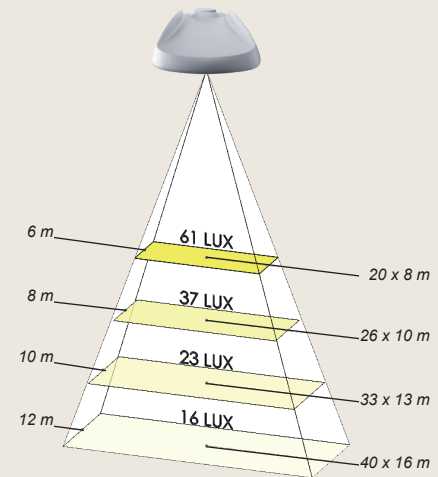
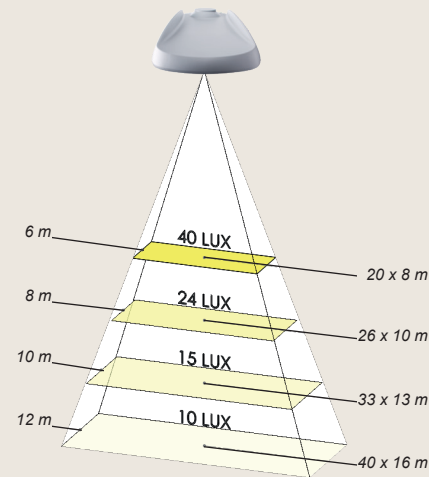
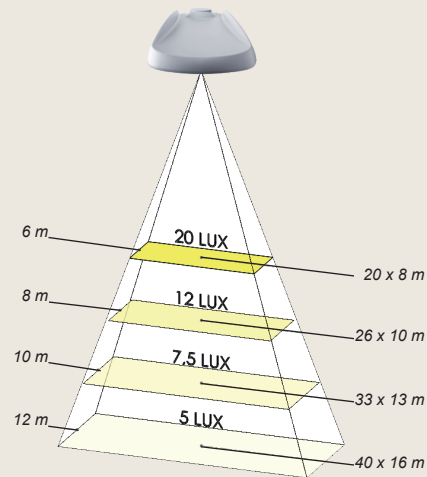
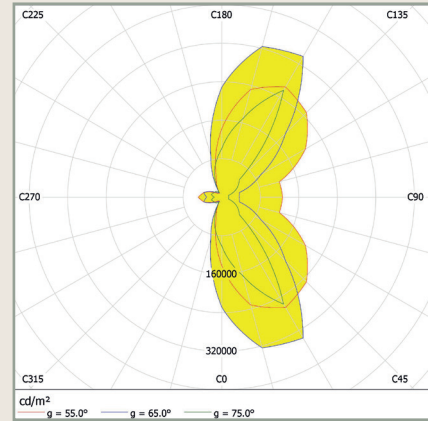
EFL40



EFL80

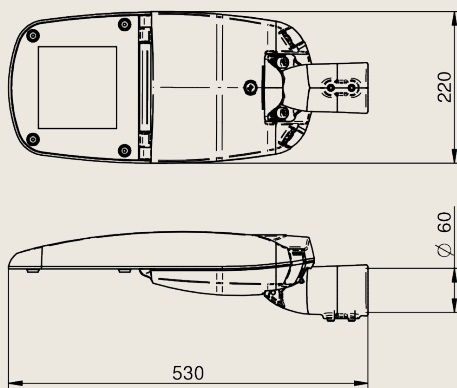


EFL120

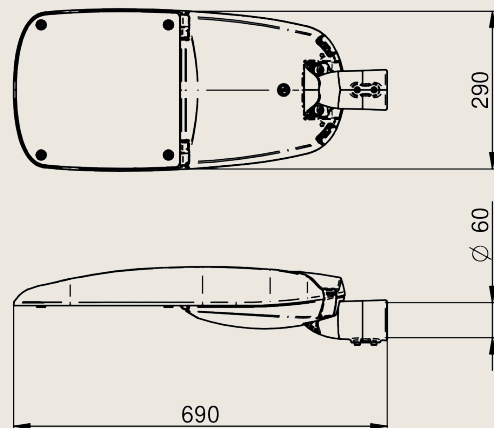


DIMENSIONS:

EFL40



EFL80 / 120



– Further models on request / subject to change and error –



MODELS:

Voltage	Power	Luminous flux	Luminaires	Colour temperature	Dimensions (L x W x H)	Weight	Order no.
220 - 240 V AC 47 - 63 Hz	40 W	6,432 lm	LED panel 16 LEDs	4,000 K	530 220 283 x 128 mm	6.8 kg	EFL40
	80 W	12,760 lm	LED panel 32 LEDs		690 290 283 x 140 mm	8.5 kg	EFL80
	120 W	19,152 lm	LED panel 48 LEDs				EFL120

SPECIAL FEATURES:

- **LED life L90B10 > 100,000 hours**
Driver life < 70°C = 100,000 hours
 - **160 lumens / watts**
 - Modular concept
 - Outstanding price/performance ratio (lm/€)
 - 16, 32 or 48 high power LEDs type 5050
 - Ambient temperature -35°C to +50°C.
 - Luminosity class G6 and Upward Light Ratio (ULR) = 0%
 - Photobiological safety class RG0 (without risk)
 - Protection class 1
 - Colour Rendering Index (CRI) > 70
 - The inclination of the luminaire can be individually adjusted from -15° to +15° as a pole-mounted luminaire
 - Light-weight, only 6.8 or 8.5 kg
- Outstanding, proven durability
 - Highly efficient LED technology: High luminous efficiency with low energy consumption – one of the most powerful and efficient street lights on the market
 - Future-proof and sustainable thanks to easy-to-replace luminaire components (LEDs, drivers, lens optics, safety glass)
 - Low payback times
 - Homogeneous light image
 - Use even with large temperature fluctuations
 - No light emissions in the upper half-space and therefore no light pollution
 - Maximum safety for the user
 - Optimal alignment of the light cone to the conditions on site
 - Easy installation and maintenance

– Further models on request / subject to change and error –

LED Street/Path & Plaza Light FINLED

Save costs

Save time

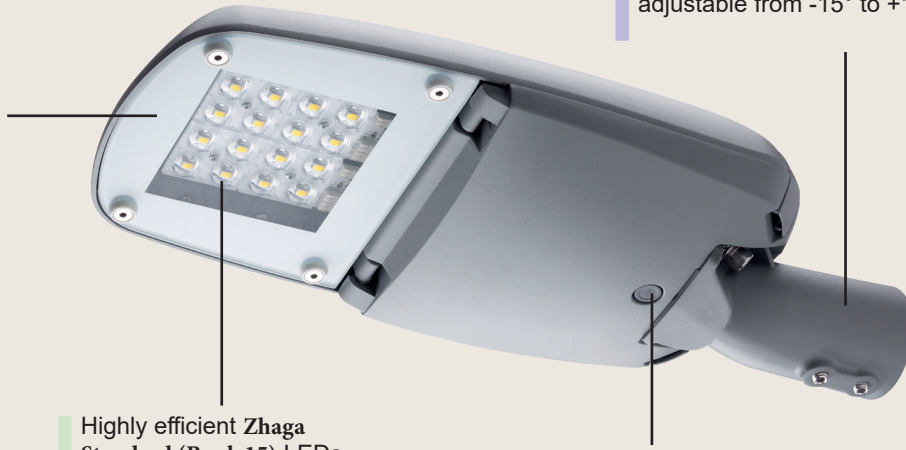
Increased safety

5mm tempered safety

glass with UV filter

Prevents blue light from escaping

- Protects people and animals
- Protects insects



Flexible mounting as

top-mounted and top-mounted mast luminaires by means of swivelling nozzles - suitable for a mast diameter of 60 mm tilt adjustable from -15° to +15°

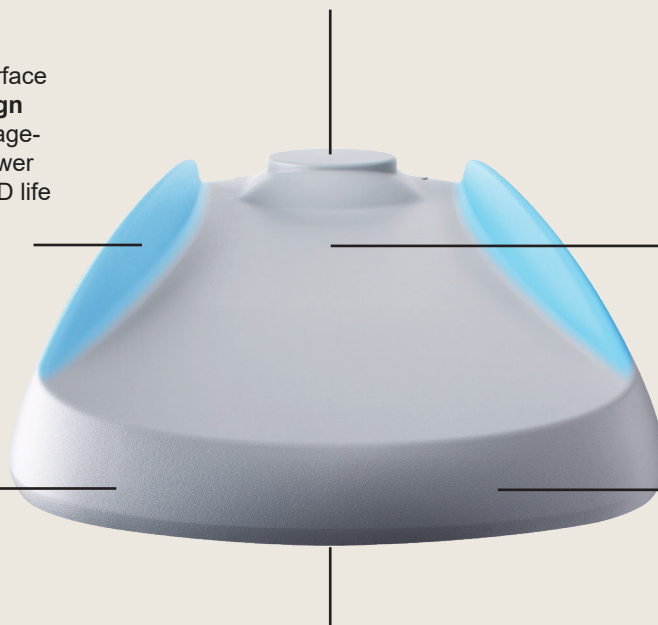
Highly efficient Zhaga Standard (Book 15) LEDs with 160 L/W. Power Factor > 0.98 Energy class A++ (IPEA>1.15)

Pressure equalisation valve

Prevents condensation and maintain IP tightness

Prepared for any intelligent light control and sensor technology - Fit for the future today

A 33% increased cooling surface thanks to **patented fin design** ensures excellent heat management and thus increased power (160lm/W) and very high LED life (L90B10 > 100,000 hours)



Plastic powder-coated aluminium die-cast housing (colour RAL 9022) robust, weatherproof and corrosion-resistant

Impact resistance IK10

Resistant to mechanical stress, such as heavy hail

Aerodynamic design

- Low contamination due to smooth surface
- No cooling fins are necessary for heat dissipation

Elegant, slim design

blends harmoniously into almost any environment

Beam angle 120° -

Asymmetric Super Extensive (AE) Excellent and uniform surface illumination

- Further models on request / subject to change and error -

LED Street/Path & Plaza Light FINLED

Save costs

Save time

Increased safety

Automatic mains interruption

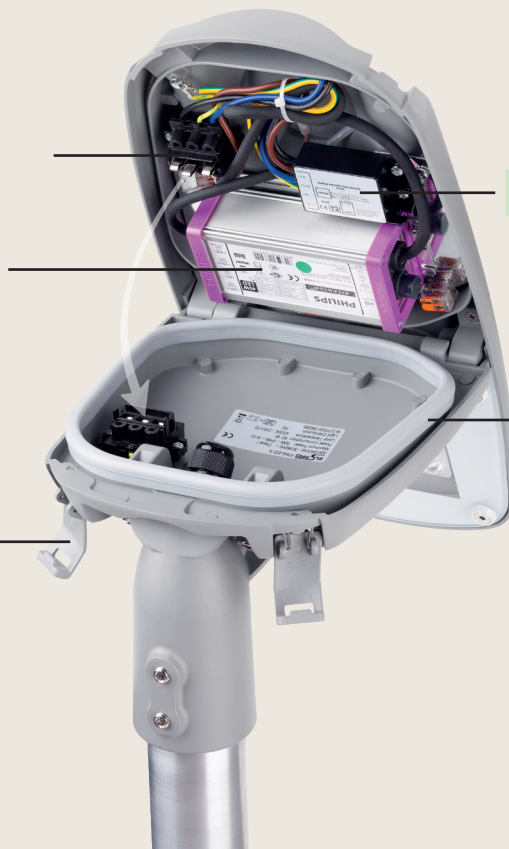
When opening the housing

Multifunctional high-tech LED driver dimmable 1-10 V.

Open without tools

Of the connection compartment by two locking clips

- Easy handling and easy connection of the luminaire
- Safe locking by eccentric system



Surge protection 20 kA (10 kV) - protects against costly failures

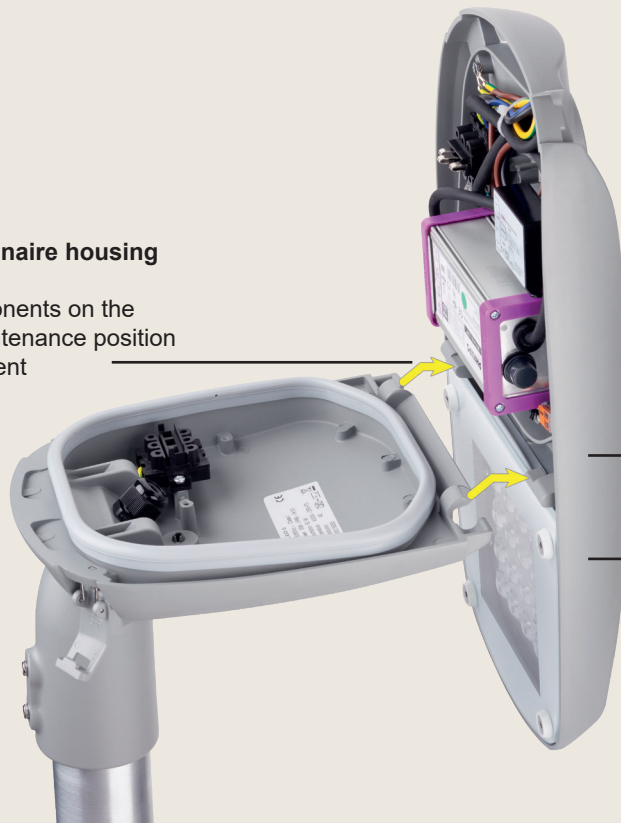
Degree of protection IP66
Dust-proof and protected against strong jet water from all directions

Two-piece, removable luminaire housing

for comfortable and fast

Maintain all important components on the workbench or in a fixed maintenance position

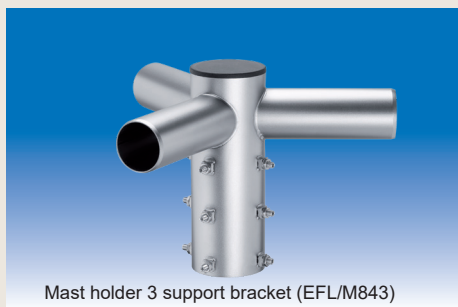
→ Rapid, tool-free replacement



Two-zone concept
(Two chambers for LED module and driver) for optimal thermal management

- Further models on request / subject to change and error -

LED Street/Path & Plaza Light FINLED



ACCESSORIES AND SPARE PARTS:

Order no.

Mast holder for pipe diameter 67-80 mm

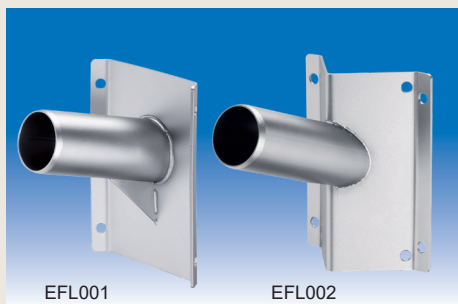
- Horizontal tilted by 0°
- incl. fittings (VA) M8 x 30 mm
- Stainless steel
- 1 support bracket L=150 mm x Ø=60 mm
- 2 support bracket L=150 mm x Ø=60 mm
- 3 support bracket L=150 mm x Ø=60 mm
- 4 support bracket L=150 mm x Ø=60 mm

EFL/M841

EFL/M842

EFL/M843

EFL/M844



Wall bracket for inner angle (90°)

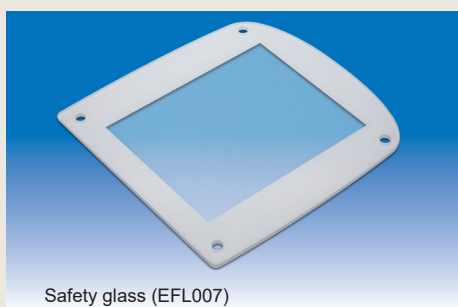
EFL001

- Pipe dimensions (L x Ø): 120 x 60 mm
- Mounting plate dimensions: 200 x 160 mm
- Stainless steel V2A

Wall bracket for external angle (90°)

EFL002

- Pipe dimensions (L x Ø): 200 x 60 mm
- Mounting plate dimensions: 200 x 160 mm
- Stainless steel V2A



LED driver (not shown)

- Input voltage 230 V AC
- LED driver dimmable 1 - 10 V DC
- Continuous current 750 mA
- Nominal power 40 W.
- Nominal power 80 W.
- Nominal power 120 W.

EFL003

EFL004

EFL005

Safety glass (5 mm) with UV filter

- FINLED 40 W
- FINLED 80 W / 120 W

EFL006

EFL007



LED board including lens

- Light colour 4,000 K.
- Colour Rendering Index (CRI) > 70
- LED life L90B10 > 100,000 hours
- 8 LEDs
- Total luminous flux 3,216 lm
- 16 LEDs
- Total luminous flux 6,380 lm

EFL008

EFL009

OPTIONAL PROJECT FEATURES:

- Additional colour temperatures: PC Ambar, 2,200 K, 3,000 K and 5,000 K.
- ZHAGA or NEMA connection-ready
- IoT-ready (Ready4IoT), making it future-proof for versatile intelligent lighting control and sensor technology →
- Sensor-ready model (e.g. for motion or daylight sensors)
- Additional lens optics (PMMA lenses 2x2) for a wide range of beam angles
- Other services available
- Additional housing colours on request
- Colour Rendering Index (CRI) > 80
- Models with protection class 2



– Further models on request / subject to change and error –