

// 01 AULED PRODUCT SERIES

STYLE & FUNCTIONALITY IN PERFECTION

AuLED

What distinguishes our AuLED product series?

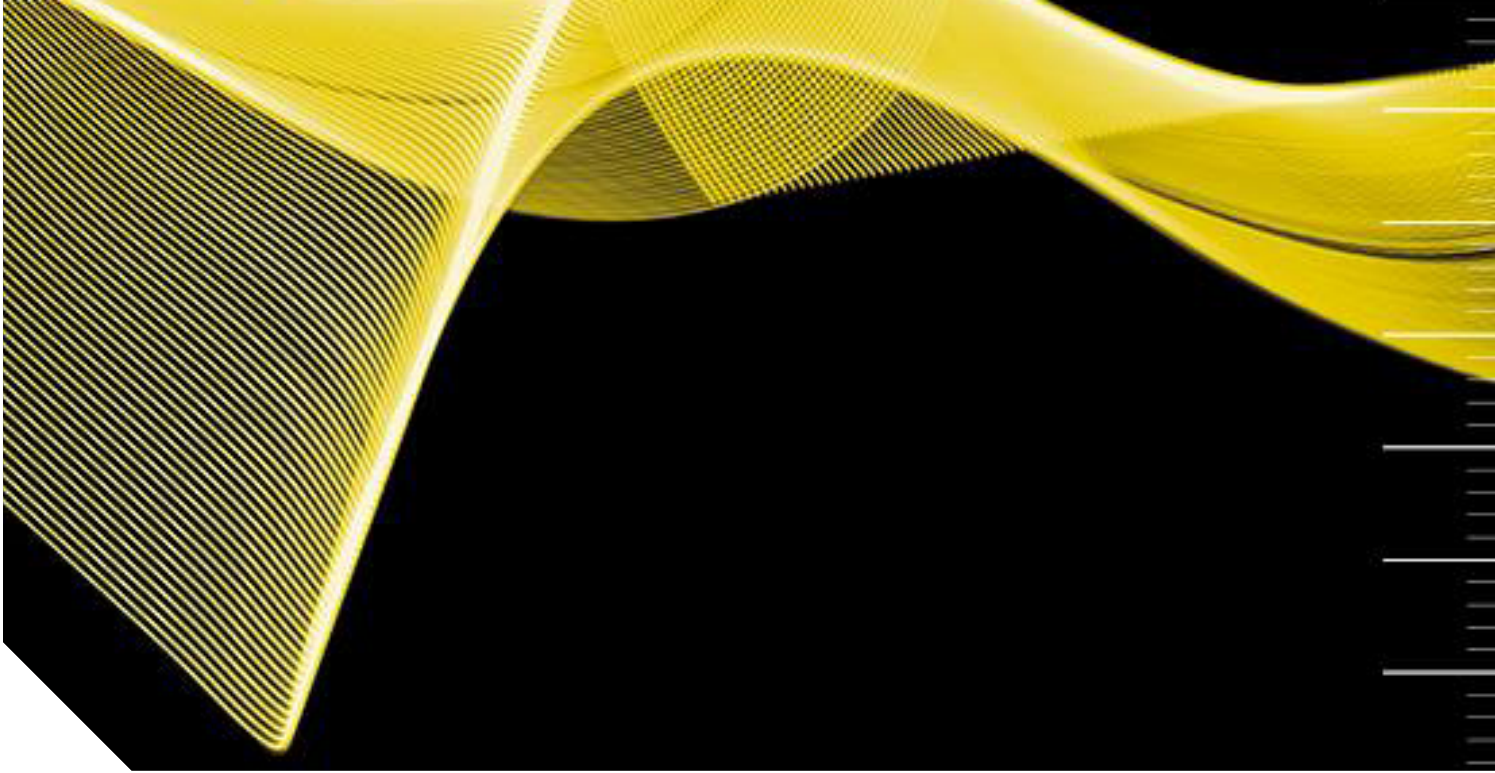
High quality, a straightforward, appealing design, functionality and an enormous range of available model variants, thus offering an unbeatably wide variety of applications.

The AuLED type of lamp is a true „allrounder“, its housing made of aluminium or stainless steel, cooled, as built-in or surface lamp, M8 or M12 connector, pure white light or the combination of all colours ...

please discover on the next pages the great diversity of our AuLED product range.

As diverse as the models available are the potential fields of applications of our AuLED lamps: no matter whether it is in the food industry, classical mechanical engineering, textile industry or in workshops – our AuLED lamps reliably ensure optimal lighting conditions.





AuLED 30/503001



// TECHNICAL DATA

ITEM NO.: 592-503-001

Operating voltage	24 V DC
Rated output	9 W
Ambient temp.	-5°C - max. 40°C
System of protection	IP67
Protection class	SK II
Weight	0,408 kg
Glass plate	ESG
Lamp housing	Aluminium, anodized
Type of lighting	Surface lamp
Scope of application	Industrial sector



// LIGHT SOURCES

Number of LEDs	42
Current	375 mA
Lifetime	> 60.000 h
Colour rendering	Ra > 80
Energy efficiency class	A ++
Luminous flux	1330 lm
Light efficiency	147 lm / W
Light colour	5000 K

// BALLAST (external)

Output voltage	24 V DC
Output power	min. 14 W

// ELECTRICAL CONNECTION

Type of connection	Flange plug M8x1, 3-pole
Pin assignment	Pin 1: + 24 V DC; Pin 3: GND

// FEATURES

- Small, compact & extremely efficient
- Slim design – low installation height
- Low maintenance and service-friendly
- High luminous flux – despite the small design
- Connection cable included



// SHORT OVERVIEW

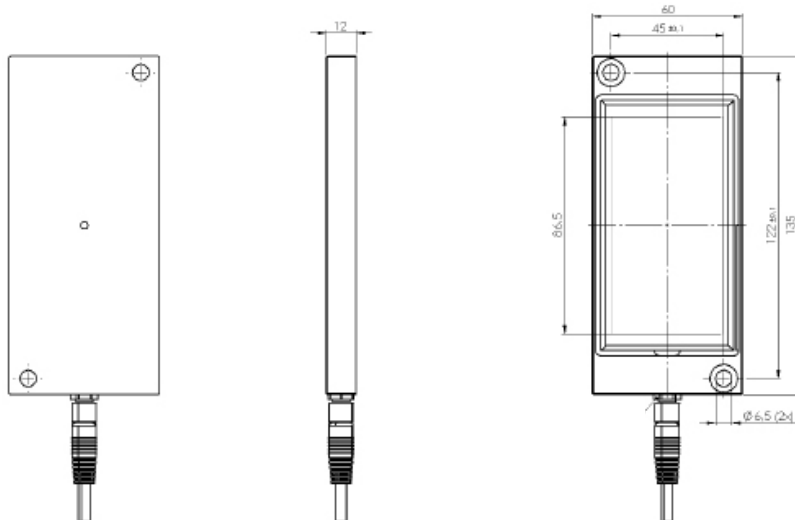
TYPE	ITEM NO.	VOLTAGE	POWER	LUMINOUS/ LUMEN	COVERAGE	DIMENSIONS/ MM	PLUG
AuLED 30	592-503-001	24 V DC	9 W	1330	ESG, clear	135x60x12	M8, lateral

// VARIATIONS

TYPE	ITEM NO.	VOLTAGE	POWER	LUMINOUS/ LUMEN	COVERAGE	DIMENSIONS/ MM	PLUG
AuLED 30	592-503-003	24 V DC	9 W	1330	PC	135x60x12	M8, back-mounted
AuLED 30	592-503-007	24 V AC	9 W	1330	ESG, clear	140x80x22	M8, lateral
AuLED 30 built-in	592-503-011	24 V DC	7 W	840	ESG, satined	185x74x22,5	M12, lateral
AuLED 30 switch	592-503-014	24 V DC	9 W	1330	ESG, clear	135x60x12	M8, lateral
AuLED30	592-503-015	24 V DC	9 W	1330	PC, satined	135x60x12	M8, back-mounted

Other variations available! For further information, please contact us.

// TECHNICAL DRAWING



// ACCESSORIES (optional)

Power supply SELV (IP67)



ITEM NO. 213-820-219

Input: 110-240 V | 50-60 Hz

Output: 24 V DC | max. 25 W

Connection cable M8



ITEM NO. 214-100-001

System of protection IP 67 | Length = 2 m

// STANDARDS

EN 55015:2016-04
 EN 60598-1:2015-10
 EN 62031:2015-09
 UL 2108

TECHMALUX

AuLED 30/503006

stainless
steel



// TECHNICAL DATA

ITEM NO.: 592-503-006

Operating voltage	24 V DC
Rated output	9 W
Ambient temp.	-5°C - max. 40°C
System of protection	IP67
Protection class	SK II
Weight	0,408 kg
Glass plate	ESG
Lamp housing	Stainless steel
Type of lighting	Surface lamp
Scope of application	Industrial sector



// LIGHT SOURCES

Number of LEDs	42
Current	375 mA
Lifetime	> 60.000 h
Colour rendering	Ra > 80
Energy efficiency class	A ++
Luminous flux	1330 lm
Light efficiency	147 lm / W
Light colour	5000 K

// BALLAST (external)

Output voltage	24 V DC
Output power	min. 14 W

// ELECTRICAL CONNECTION

Type of connection	Flange plug M8x1, 3-pole
Pin assignment	Pin 1: + 24 V DC; Pin 3: GND

// FEATURES

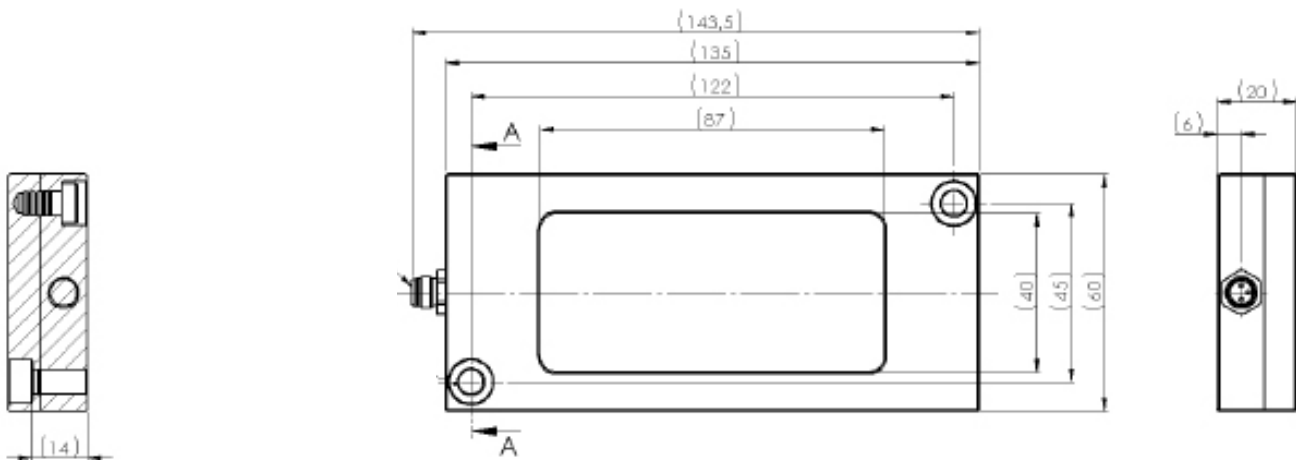
- Lamp housing made of high-quality stainless steel
- Particularly suitable for use in the food sector
- High luminous flux – the lamp is a small „power pack“
- Energy efficiency class A++
- Plug connector M8 – quick and easy to connect



// SHORT OVERVIEW

TYPE	ITEM NO.	VOLTAGE	POWER	LUMINOUS/ LUMEN	COVERAGE	DIMENSIONS/ MM	PLUG
AuLED 30	592-503-006	24 V DC	9 W	1330	ESG, clear	135x60x20	M8, lateral

// TECHNICAL DRAWING



// ACCESSORIES (optional)

Power supply SELV (IP67)



ITEM NO. 213-820-219

Input: 110-240 V | 50-60 Hz

Output: 24 V DC | max. 25 W

Connection cable M8



ITEM NO. 214-100-001

System of protection IP 67 | Length = 2 m

// STANDARDS

EN 55015:2016-04
 EN 60598-1:2015-10
 EN 62031:2015-09
 UL 2108

TECHMALUX

AuLED 30/503012

cooled

// TECHNICAL DATA

ITEM NO.: 592-503-012

Operating voltage	24 V DC
Rated output	9 W
Ambient temp.	-5°C - max. 140°C
System of protection	IP67
Protection class	SK II
Weight	0,4 kg
Glass plate	ESG
Lamp housing	Aluminium, anodized
Type of lighting	Cooled lamp
Scope of application	Industrial sector



// LIGHT SOURCES

Number of LEDs	42
Radiation angle FWHP	120°
Lifetime	> 60.000 h
Colour rendering	Ra > 80
Energy efficiency class	A ++
Luminous flux	1330 lm
Light efficiency	147 lm / W
Light colour	5000 K

// BALLAST (external)

Output voltage	24 V DC
Output power	min. 14 W

// ELECTRICAL CONNECTION

Type of connection	Flange plug M8x1, 3-pole
Pin assignment	Pin 1: + 24 V DC; Pin 3: GND

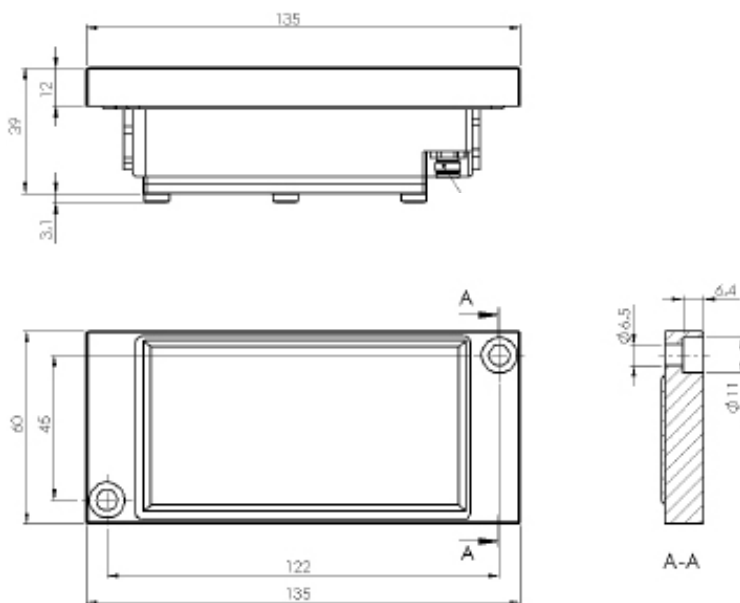
// FEATURES

- Cooled variant – for use in particularly harsh environments – designed for high temperatures, water cooling required
- Connection 3/8" for cooling system
- Brand-new, innovative, robust & efficient

// SHORT OVERVIEW

TYPE	ITEM NO.	VOLTAGE	POWER	LUMINOUS/ LUMEN	COVERAGE	DIMENSIONS/ MM	PLUG
AuLED 30	592-503-012	24 V DC	9 W	1330	ESG, clear	135x60x42	M8, back-mounted

// TECHNICAL DRAWING



// ACCESSORIES (optional)

Power supply SELV (IP67)

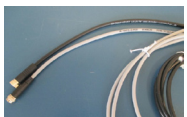


ITEM NO. 213-820-219

Input: 110-240 V | 50-60 Hz

Output: 24 V DC | max. 25 W

Connection cable M8



ITEM NO. 214-100-001

System of protection IP 67 | LENGTH = 2 m

// STANDARDS

EN 55015:2016-04
 EN 60598-1:2015-10
 EN 62031:2015-09

TECHMALUX

AuLED 30/503010

built-in



// TECHNICAL DATA

ITEM NO.: 592-503-010

Operating voltage	24 V DC
Rated output	9 W
Ambient temp.	-5°C - max. 40°C
System of protection	IP67
Protection class	SK II
Weight	0,562 kg
Glass plate	ESG
Lamp housing	Aluminium, anodized
Type of lighting	Built-in lamp
Scope of application	Industrial sector



// LIGHT SOURCES

Number of LEDs	42
Current	375 mA
Lifetime	> 60.000 h
Colour rendering	Ra > 80
Energy efficiency class	A ++
Luminous flux	1330 lm
Light efficiency	147 lm / W
Light colour	5000 K

// BALLAST (external)

Output voltage	24 V DC
Output power	min. 14 W

// ELECTRICAL CONNECTION

Type of connection	Flange plug M12x1, 4-pole, A-coded
Pin assignment	Pin 1: + 24 V DC; Pin 3: GND

// FEATURES

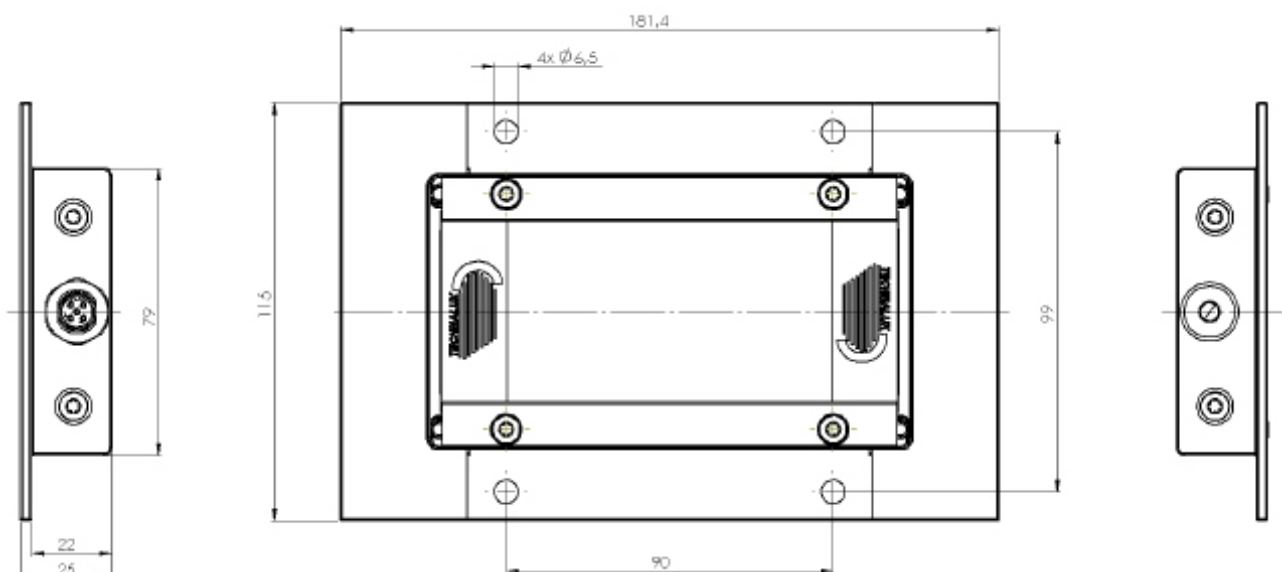
- IP 67 – protection against temporary submersion
- Space-saving installation due to slim design
- Low maintenance and service-friendly – all parts replaceable
- Resistant aluminium housing & ESG glass
- Flush with the installation surface



// SHORT OVERVIEW

TYPE	ITEM NO.	VOLTAGE	POWER	LUMINOUS/ LUMEN	COVERAGE	DIMENSIONS/ MM	PLUG
AuLED 30	592-503-010	24 V DC	9 W	1330	ESG, clear	181x115x25	M12, lateral

// TECHNICAL DRAWING



// ACCESSORIES (optional)

Power supply SELV (IP67)



ITEM NO. 213-820-219

Input: 110-240 V | 50-60 Hz

Output: 24 V DC | max. 25 W

Cable box

4-pole | M12x1 | A-coded

Cable passage Ø 4-5mm

ITEM NO. 213-080-058

Cable passage Ø 8-10mm

ITEM NO. 213-080-056

// STANDARDS

EN 55015:2016-04
 EN 60598-1:2015-10
 EN 62031:2015-09
 UL 2108

TECHMALUX